



# PoolStar Products



**Manufacturer: O'Ryan Industries, Inc.**  
12711 NE 95th Street  
Vancouver, Wa. 98682  
Telephone:  
1(800) 426-4311- 1(360) 892-0447  
Website: <http://www.oryanindustries.com>

**IMPORTANT: This manual includes essential information on the safety measures to be implemented for installation and start-up. Therefore, the installer, as well as the user, must read these instructions before beginning installation and start-up.**

### Technical Specification

Standard input voltage: 12V AC/DC (Range: 12-18VAC or DC)

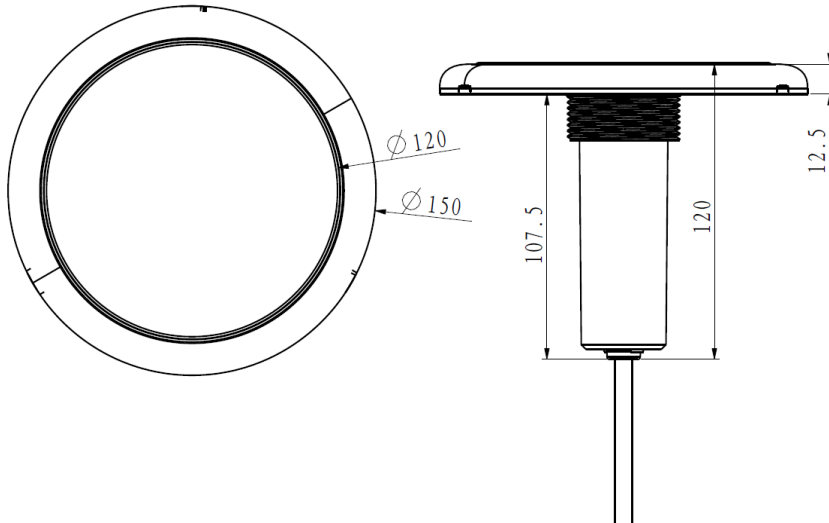
Standard input watt:

RGB	White
18W	21W

Use life: 60,000 hours

16 programs with Synchronization capability

Dimensions:



### Safety Warnings

The persons who are in charge of installation should have the required qualifications for this type of work.

- Avoid making contact with the electric voltage.
- Comply with the current standards regarding accident prevention.
- IEC 364-7-702 standards must be observed: WIRING IN BUILDINGS, SPECIAL WIRING, SWIMMING POOLS.
- Replacement must be performed with the lamp disconnected from the electric power system.

### Warranty

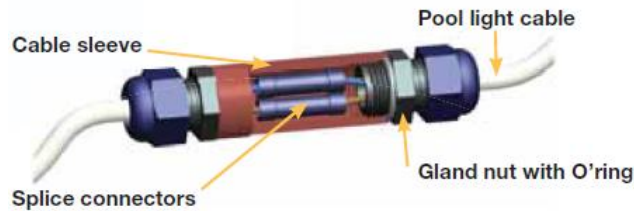
The manufacturer warrants this resin filled LED underwater lights against defects in materials and workmanship for a period of three years from the date of purchase. This warranty does not cover the fixture becoming damaged due to misuse, accidental damaged, improper handling and/or installation and specifically excludes liability for direct, incidental or consequential damages. Defects in materials and workmanship are exclusive of the following:

- The light has small air bulbs inside the resin on the back side.

## Maintenance & Replacement

There is no maintenance required for this lamp – it is designed to be used only once, meaning that replacement is necessary if it becomes defective (repairing is impossible). Before any handling, ensure that there is NO voltage supplied to the lamp. To replace, unfasten the lamp from the bracket. Ensure the new lamp is of the same model and characteristics as the one being replaced.

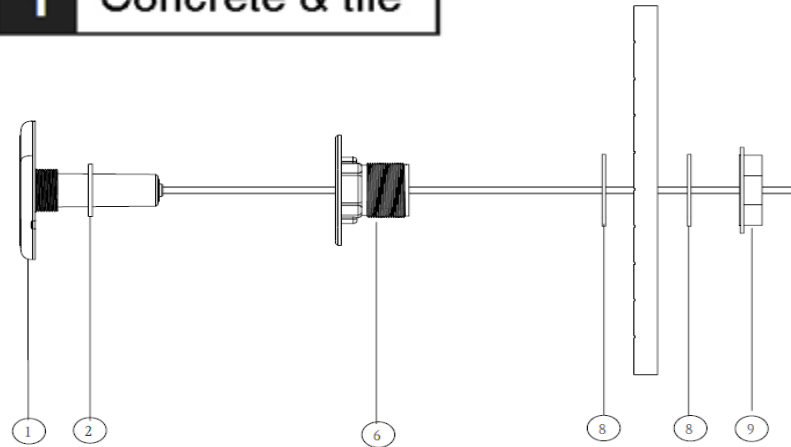
If the cable pipes you use has inner diameter 26mm or more, you can use the retrofit connector to connect the cable easily. Simply crimp both connections with the splice connectors, slide the cable sleeve over the connection and hand tighten the gland nuts. Then hide the retrofit connector in the pipe. The retrofit connector is ordered separately.



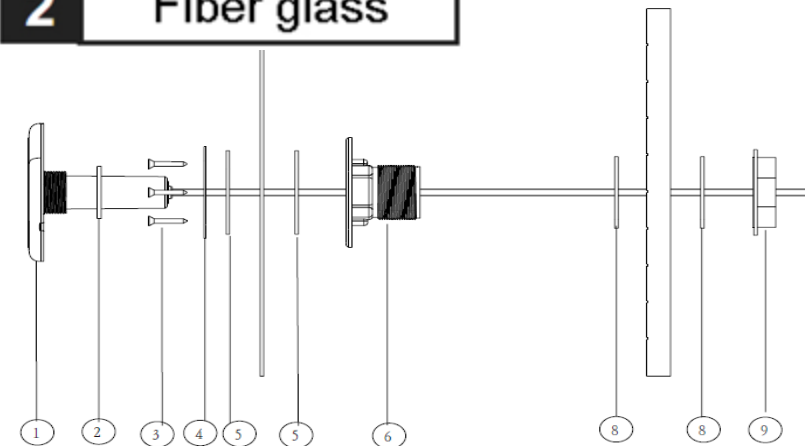
## Start-up

- The lamp should only operate underwater while secured to the vertical walls of the pool. **Never switch on the lamp if it is not underwater.**
- In case of colored lamps, 16 pre-programmed effects and combinations may be selected using the on/off switch of your pool lights. Just switch off and switch on within 2 seconds.
- If the light is powered off for more than 20 seconds, it will keep the latest program when it is turned on again.
- To achieve synchronization, confirm all lamps are installed correctly on the same switch, after they are powered off for more than 20 seconds, switch on and switch off continuously three times, and then finally turn them on again. They will all go to program 5. Now you can select a program for them by switch off and on within 8 seconds.
- Alternatively, we recommend using our optional controller (with in-built safety transformer) which comes with (a) remote control for easy operation and (b) auxiliary connection of 24V for operation of any other electrical item.

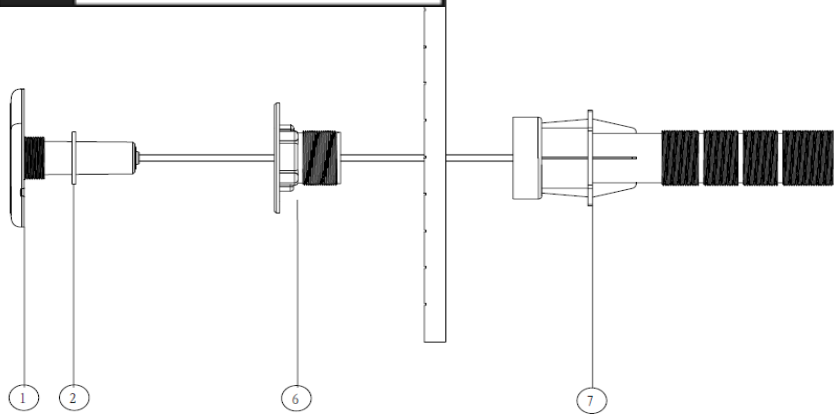
## 1 Concrete & tile



## 2 Fiber glass



## 2.1 Panel & Liner



### Chart of parts

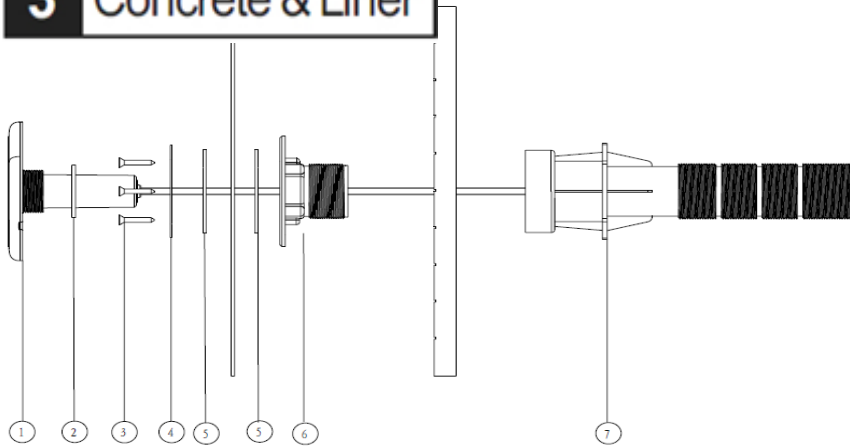
NO.	Part Description	Quantity			
		1	2	2.1	3
1	LED lamp	1	1	1	1
2	Silicon gasket A	1	1	1	1
3	M5.5*32 stainless steel self-tapping screw		4		4
4	Bracker A-II		1		1
5	Silicon gasket B ( with screw holes )		2		2
6	Threading bracket A-I	1	1	1	1
7	2" wall conduit			1	1
8	Silicon gasket 2"	2	2		
9	Fixing nut	1	1		
10	Wire connector	2	2	2	2
11	Rubber coating protector	1	1	1	1

The parts marked with \* are not included and needs to buy separately.

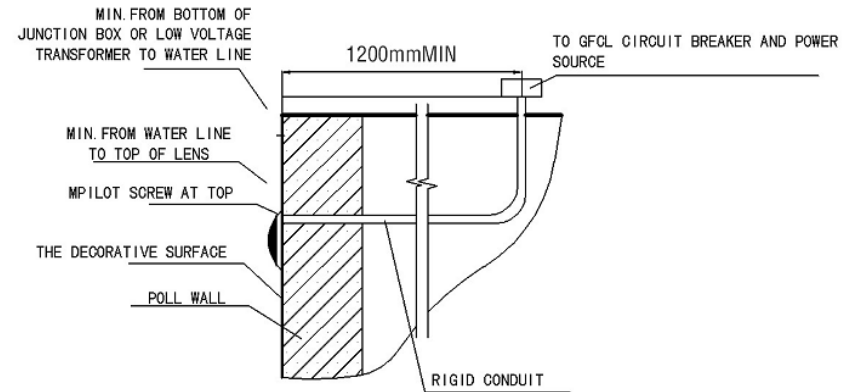
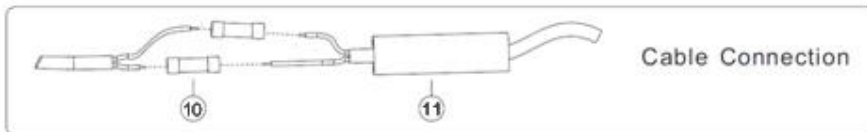
The parts marked with \*\* are not included.

The below drawing shows how to connect the cable from the lamp to the power source.

## 3 Concrete & Liner



### Cable Connection



Installation Diagram